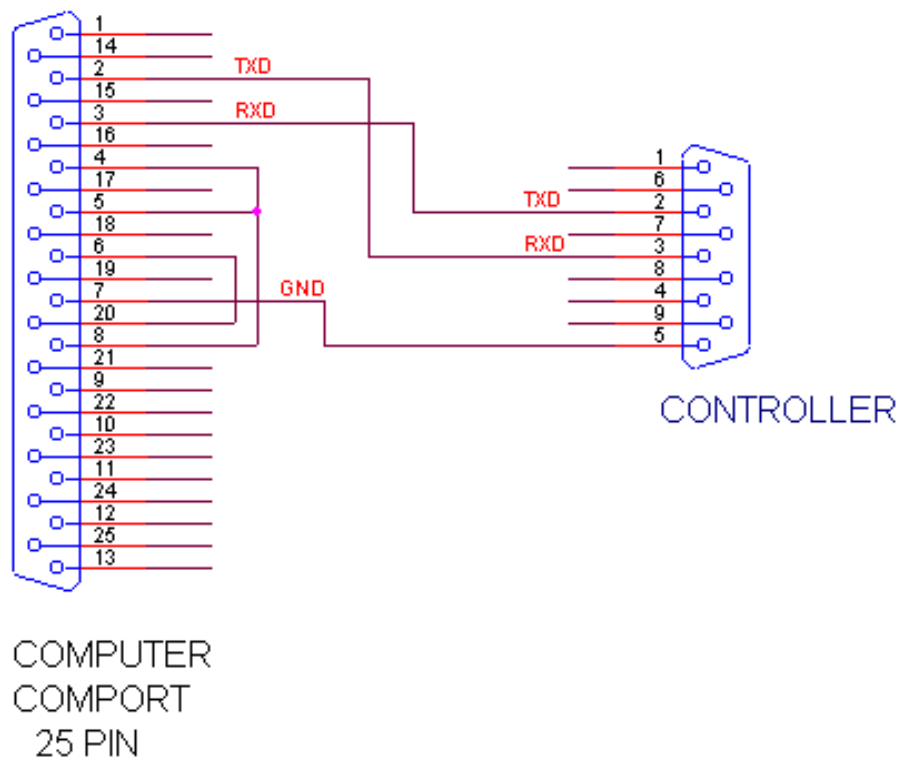
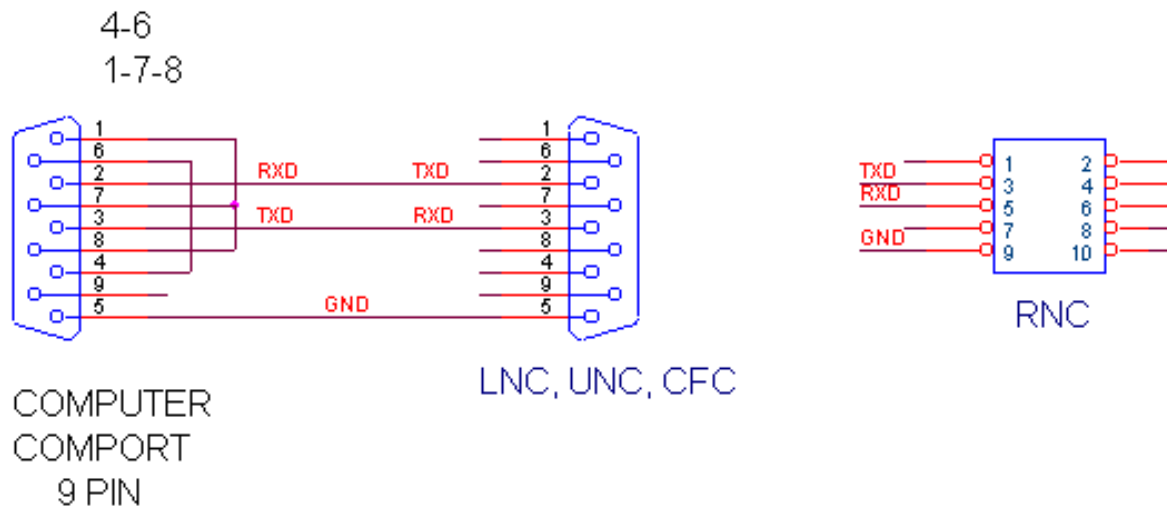


(Cable)

## COMMUNICATION CONECTION



4-5-8  
6-20